



PERFORMANCE RIDING MOTORCYCLE ACCESSORIES AND APPAREL

Bonamici Rearsets Parts Form

First & Last Name: _____

Shipping Address: _____

City: _____ State: _____ Zip: _____

Phone Number: _____ Email Address: _____

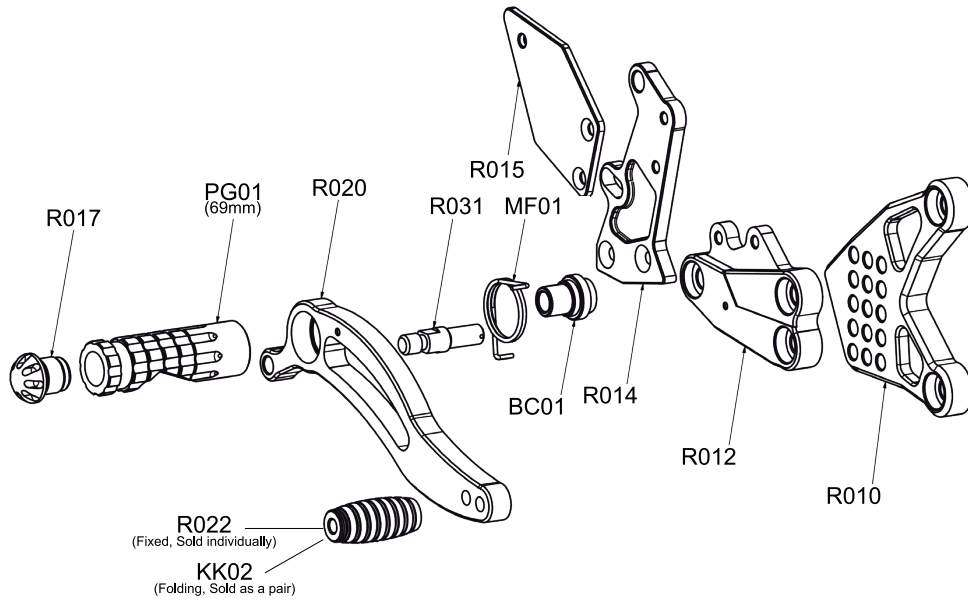
Bonamici Rearset SKU: _____

Bike Make: _____ Bike Model: _____ Year: _____ Shift Pattern: _____

Credit Card # _____ (Orders without CC info will not be processed)

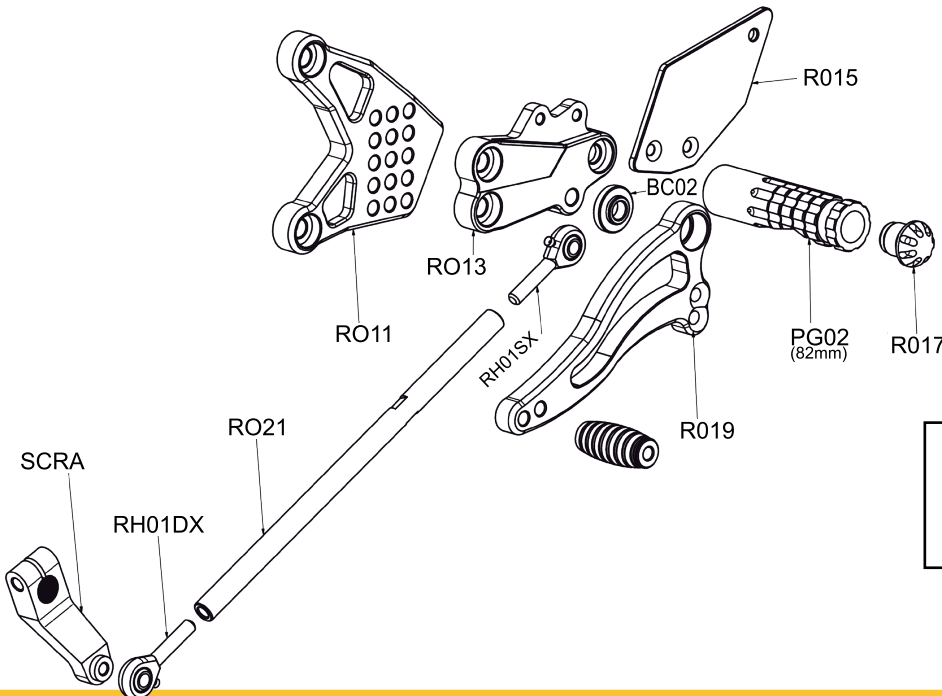
Name on Card _____ Expiration Date _____ CVV Number _____ Billing Zip _____

I authorize MOTO-D to charge my credit card (please sign here): _____



Brake Side

1. _____
2. _____
3. _____
4. _____
5. _____



Gear Side

1. _____
2. _____
3. _____
4. _____
5. _____

Don't See The Part You Need?

Detailed Schematics at
www.motodracing.com/bonamici-racing